



AVK UNIVERSAL SUPA® STRAIGHT COUPLING

601/A-006

Mild steel GEOMET Coated bolts/nuts, WRAS approved EPDM sealings



AVK Supa® is a range of universal straight couplings, step couplings and flange adaptors for cast iron, ductile iron, steel, uPVC and asbestos cement pipes. Supa® couplings are easy to mount due to the anti-friction coated bolts and nuts and the possibility of up to $\pm 4^\circ$ angular deflection.



Product description:

Universal Supa® coupling - bolts/nuts of mild steel for drinking water and neutral liquids to max. 70°C. Maximum working pressure 16 bar. Insulation essential for temperatures of 0°C and below.

Standards:

Drinking Water Inspectorate Regulation 31 compliant
1.5 x PN

Test/Approvals:

- WRAS approved Materials



Features:

- Mild steel GEOMET coated bolts/nuts comply with WIS4-52-03
- Light weight design
- $\pm 4^\circ$ angular deflection on each side
- Drinking water approved EPDM gasket
- The bolt ends are protected with plastic caps
- The moulded ribs in the gasket absorb minor imperfections in the pipe
- Versatile design tolerances typical 26 mm to cover all pipe materials
- Epoxy coated according to DIN 30677-2 and GSK approved.

Note : This fitting is not designed for end load resistant applications.

Suitable for use on 304 & 316 stainless steel pipe ≤ 304 O.D & ≥ 2 mm wall thickness.

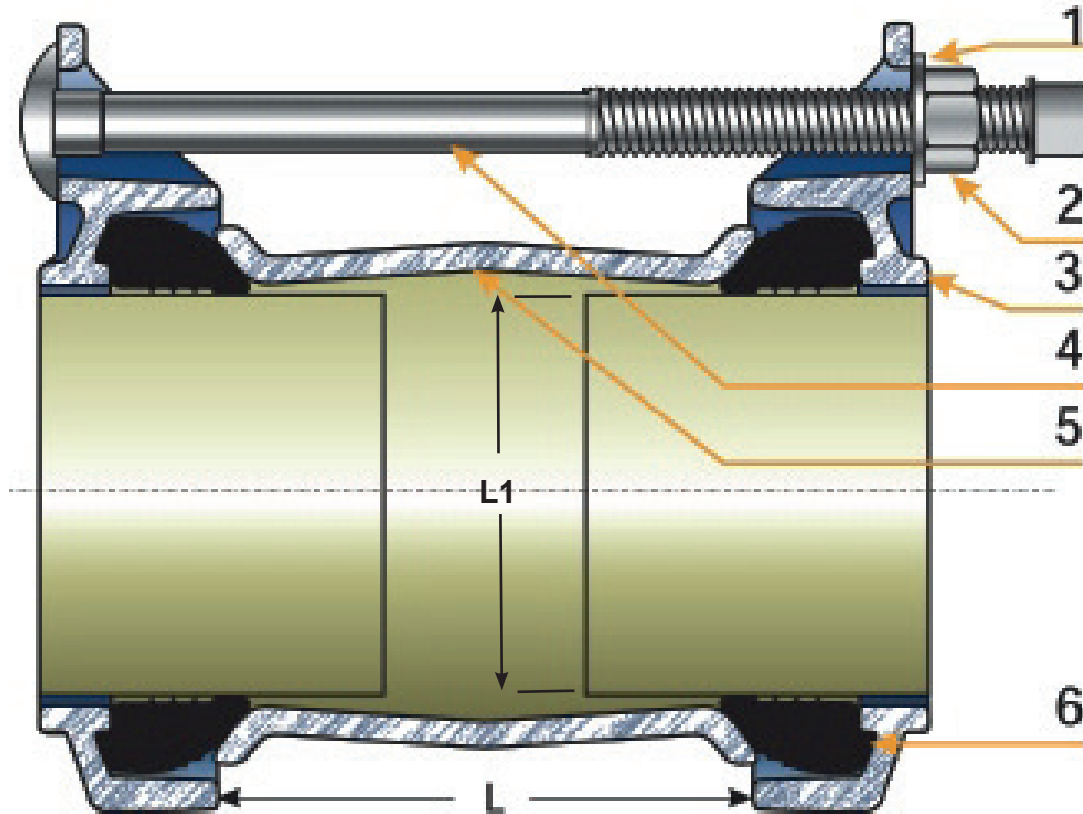


Expect... **AVK**

AVK UNIVERSAL SUPA® STRAIGHT COUPLING

601/A-006

Mild steel GEOMET Coated bolts/nuts, WRAS approved EPDM sealings



Component list:

1. Washers	Hardened Steel Zinc Plated and passivated	5. Centre Sleeve	Ductile Iron, Minimum GGG-40/50 BSEN 1563
2. Nuts	Steel Grade 8.8 with GEOMET coating	6. Rubber Seals	EPDM to BS EN 681-1
3. Gland Rings	Ductile Iron, Minimum GGG-40/50 BSEN 1563	Coating	Fusion Bonded Epoxy
4. Bolts	Steel Grade 8.8 with GEOMET coating	Domed Caps	Plastic

Reference nos. and dimensions:

AVK ref. no.	DN mm	Product PN Class	L mm	L1 mm	No. of bolts	Theoretical weight / kg
601-074000-4-2000	50	PN16	100	57-74	2	2.9
601-106000-4-2000	80	PN16	100	84 -106	4	4.9
601-133000-4-2000	100	PN16	100	109 -133	4	5.5
601-157000-4-2000	125	PN16	100	132 -157	4	6.5
601-183000-4-2000	150	PN16	115	157 -183	4	7.5
601-292000-4-2000	250	PN16	160	266 -292	6	15.5
601-350000-4-2000	300	PN16	160	324 -350	6	16.5

The designs, materials and specifications shown are subject to change without notice due to the continuous development of our product programme.

COPYRIGHT©AVK GROUP 2017