



AVK UNIVERSAL END CAP

248/30

The Series 248/30 supacap, is a universal end cap used for blanking off the ends of unused ferrous pipes and pipelines which are subjected to low pressures. The Series 248/30 is suitable for use with non-potable water, and neutral liquids (sewage), to a maximum temperature of + 70°C.

Features:

- Fusion bonded epoxy coated.
- Lightweight.
- Simple to use.
- Corrosion resistant construction.
- Universal sealing range.
- Suitable for use with non potable water.

Options:

- Drilled and tapped boss ½" to 2" BSP.
- Available above DN300mm as fabricated version of all ferrous pipes.
- For gas version see Series 248/31 datasheet.

Note: This fitting is not designed for end load resistant applications.



The designs, materials and specifications shown are subject to change without notice due to our continuing programme of product development.

TESTS, STANDARDS APPROVALS

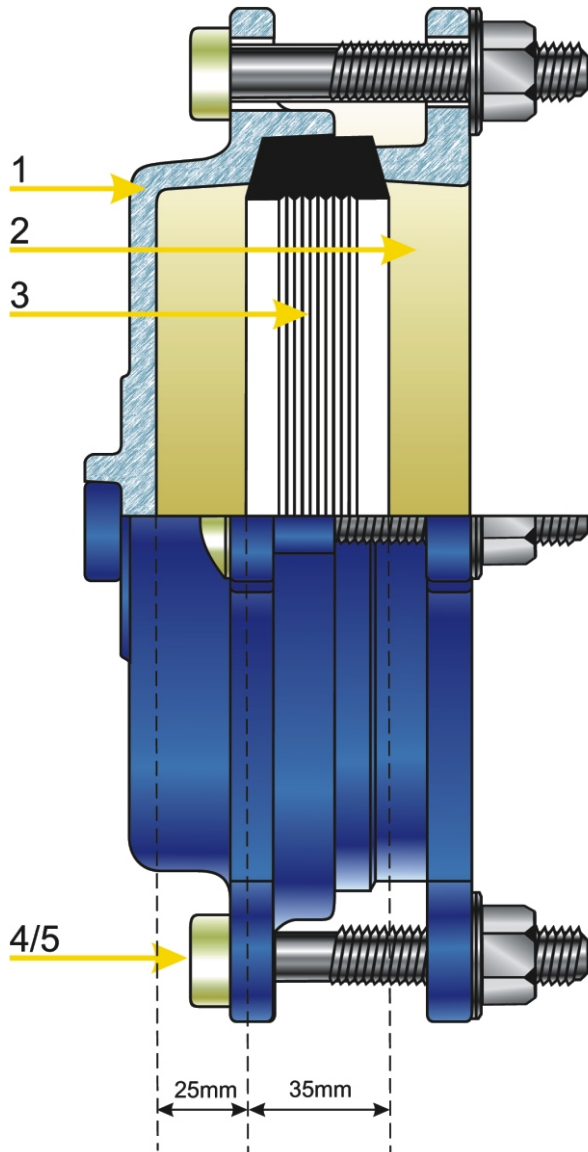
1.5 x PN.

SERVICE CONDITIONS

Maximum working pressure: 10 Bar.
 Temperature range: -10°C to + 70°C. Insulation essential for temperatures of 0°C and below.

MATERIALS OF CONSTRUCTION

No.	DESCRIPTION	MATERIAL
1	End Cap	Ductile iron, BS EN 1563 1997. GJS-400-15
2	Gland Ring	Ductile iron, BS EN 1563 1997. GJS-400-15
3	Gasket	NBR
4	Bolts	Steel bolts 8.8, square head, square shank, zinc plated and passivated.
5	Nuts	Hex. Head grade 8, zinc plated and passivated.
	Coating	Epoxy coated to WIS 4-52-01.



DIMENSIONS

Ref Nos	Nominal Pipe Size		Sealing Range
	inch	mm	
248-31-0-03-X11	3"	80	88-99
248-31-0-04-X11	4"	100	113-124
248-31-0-05-X11	5"	125	138-152
248-31-0-06-X11	6"	150	167-179
248-31-0-07-X11	7"	175	192-207
248-31-0-08-X11	8"	200	217-234
248-31-0-09-X11	9"	225	242-261
248-31-0-10-X11	10"	250	270-288
248-31-0-12-X11	12"	300	320-336

Sizes DN350-1200mm on request.
 When ordering: X=0 for Plain Boss, 5 for 2" Boss.
 Note: Other drilling and tapping sizes are available on request.