



Glycerine Filled Pressure Gauge

Description

100mm Glycerine filled bourdon tube pressure gauge for sprinkler alarm valve and pump house equipment.

Complete with 1/4" to 1/2" BSP no loss connector.

Complies with BS EN 837-1

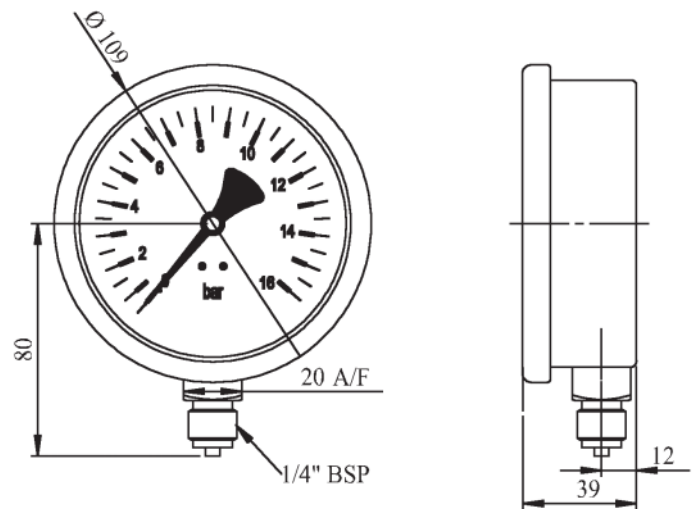
Stainless steel case.

Direct mounting bottom entry.



Scale Options

Scale Range (bar)	Product Ordering Code
-1 to +2	RDPRESSGAUGE12
0 to 7	RDPRESSGAUGE7
0 to 16	RDPRESSGAUGE16
0 to 25	RDPRESSGAUGE25
0 to 40	RDPRESSGAUGE40
0 to 70	RDPRESSGAUGE70



Do not use glycerine filled gauges with any fluid which has strong oxydizing agents for example chlorine, hydrogen peroxide, nitric acid, etc.

Important Installation Information

- Rapidrop *Gauges* must only be installed by a competent person in accordance with requirements of the local authority having jurisdiction. Deviations from these standards will invalidate warranty.
- It is the responsibility of the installing contractor to include a copy of this document in the sprinkler system installation, operating and maintenance manual.
- Alterations to Rapidrop products will void any warranty.
- *Rapidrop Gauges* should be inspected and maintained during routine sprinkler system inspections by a competent person in accordance with national codes/requirements.
- Failure to follow these instructions could cause improper operation, resulting in personal injury and/or property damage.
- For further details and technical support please contact your Rapidrop sales representative.